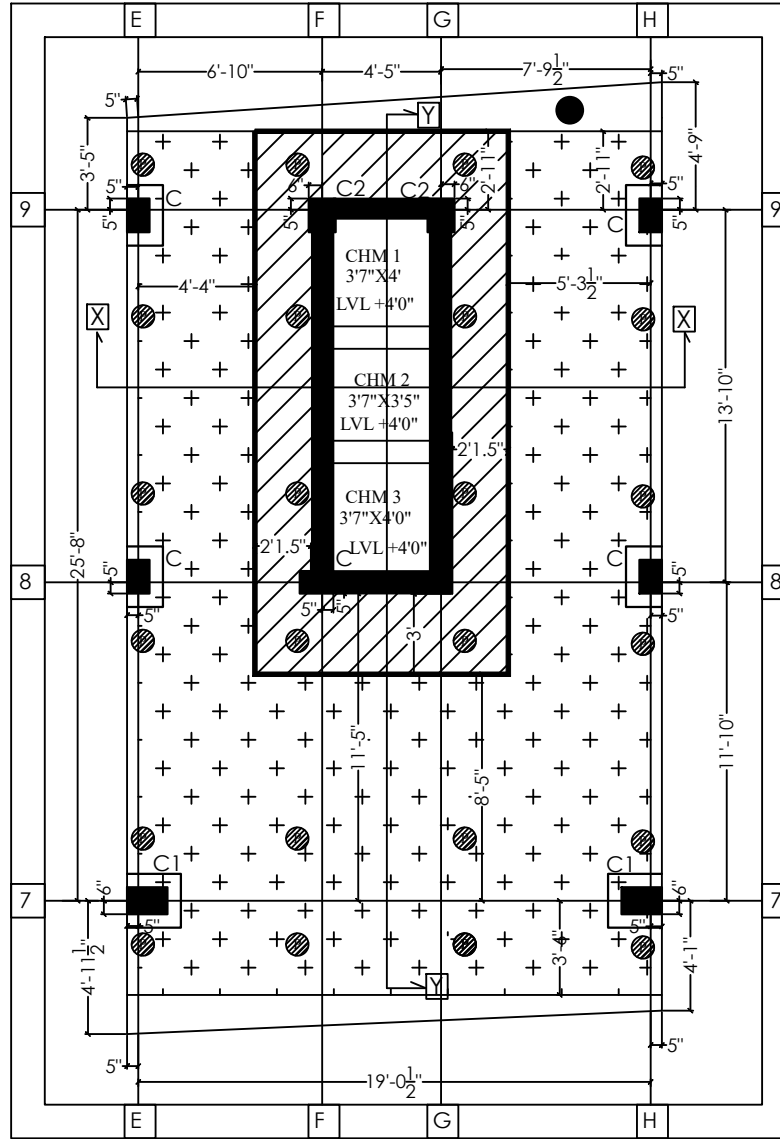


PILE LAYOUT PLAN



COLUMN LAYOUT PLAN

PILE MKD	DIA OF PILE	DEPTH OF PILE (d)	REINFORCEMENT		NO OF PILE
			MAIN STEEL	RING	
P	300 mm	6 mtr IN O.G.L	6-12 Φ	8Tor@175c/c	24 NO

COLUMN SCHEDULE			
(12"X18") C PEDESTAL 6" ALL AROUND	M25	VERTICAL : 10-16MM 	2L-8MM@ 6" / 9" / 16" C/C
(10"X16") C1 PEDESTAL 6" ALL AROUND	M25	VERTICAL : 8-16MM 	2L-8MM@ 6" / 9" / 16" C/C
(12"X16") C2 PEDESTAL 6" ALL AROUND	M25	VERTICAL : 8-16MM 	2L-8MM@ 6" / 9" / 16" C/C

FOR RING BINDING, FOLLOW ABOVE SECTION

GRADE OF CONCRETE :- M-25
 GRADE OF STEEL :- Fe-500
 COVERING :- 50MM (FOUNDATION)
 40MM (COLUMN)
 25MM (BEAM)
 15MM (SLAB)
 LAPPING OF BARS :- 45D(VERTICAL)
 :- 60D(HORIZONTAL)

CEMENT : ULTRATECH , ADANAI AMBUJA , ACC
 STEEL : TATA , JINDAL , RUNGTA , SHYAM STEEL

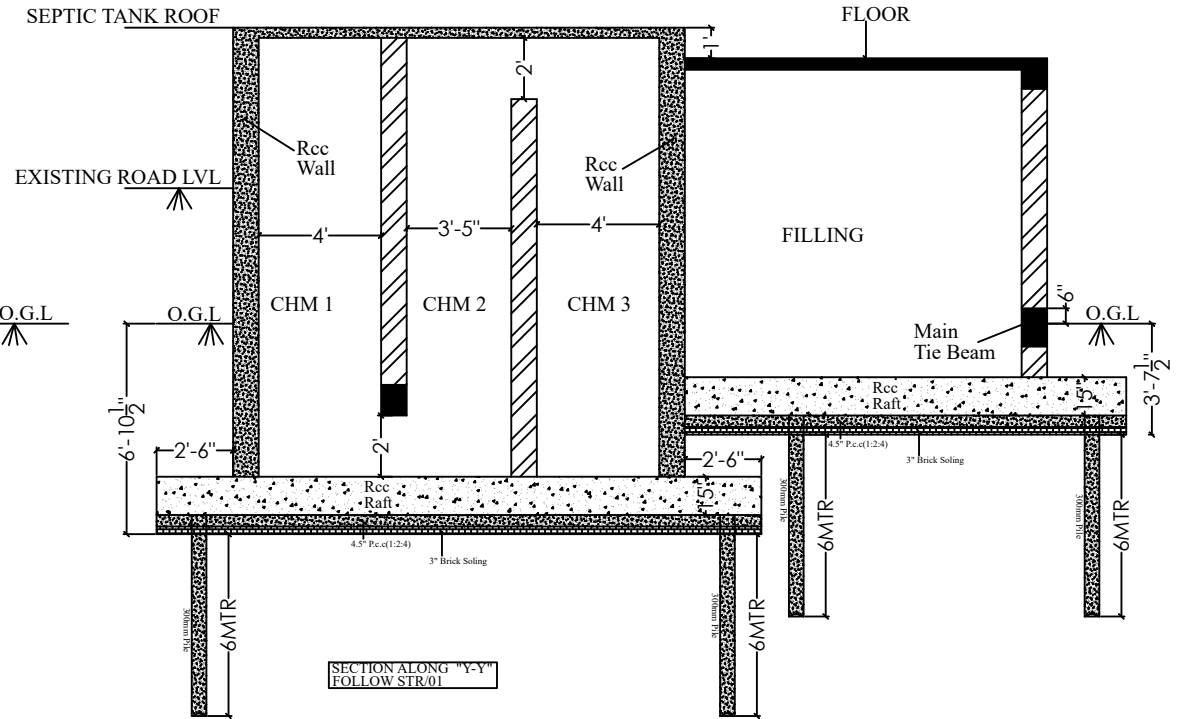
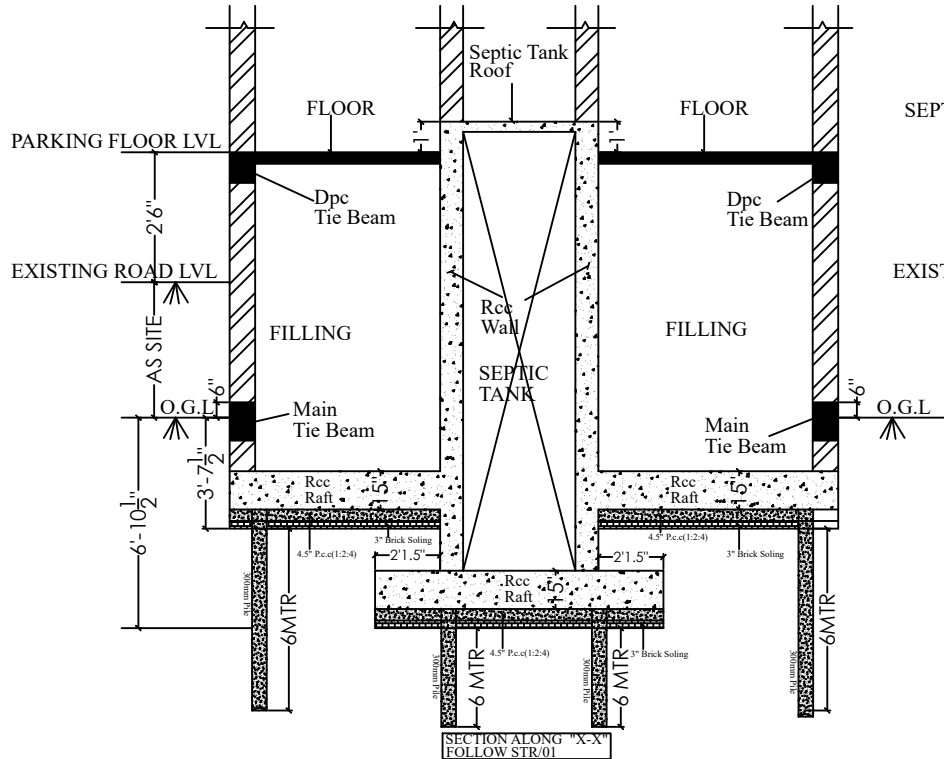
PROJECT TITLE:- RESIDENTIAL (G+3)

FILE LOCATION : AASHI 5/PATNA / 2026 SMALL /AMITJEE PLAN

CLIENT :- MR AMIT @ PATNA, BIHAR
 95047700663

CONTENT :- **PILE LAYOUT PLAN** * SEPTIC TANK LOCATION
COLUMN LAYOUT PLAN

DATE:29/01/2026	PROJECT CONSULTANT	ER ANOOP KUMAR	DRAWING NO. STR/01
	AASHI DESIGN ASSOCIATES PLANNER, ENGINEER, PROJECT EXECUTOR		
PATNA	JANGHESPUR		
CONTRACT			SCALE: N.T.S.

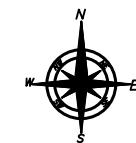
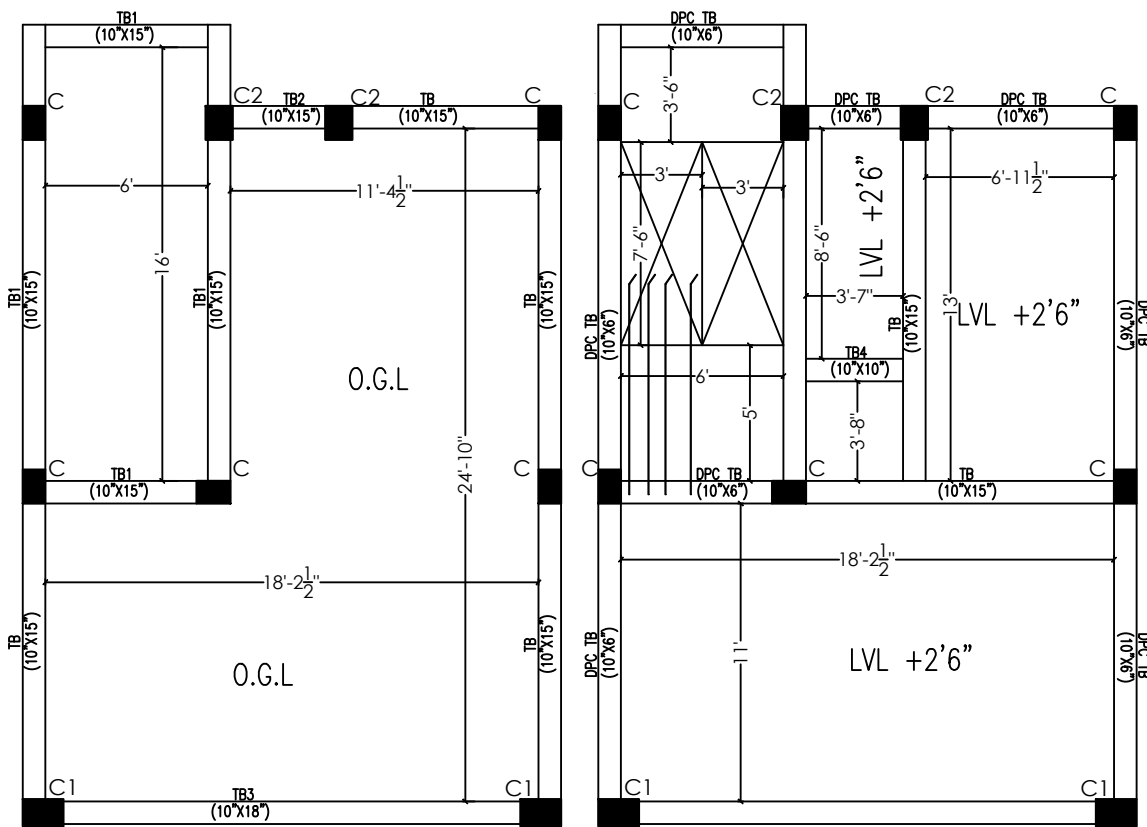


REINFORCEMENT DETAILS OF R.C.C RAFT (15" THK)			
INDICATION	RECOMMENDED REINFORCEMENT	CONC GRADE	RENF GRADE
MAIN :-	12MM @ 6"C/C (Bottom Layer)	M-20	FE-500
BINDER :-	12MM @ 8"C/C (Bottom Layer)	M-20	FE-500
MAIN :-	12MM @ 6"C/C (Top Layer)	M-20	FE-500
BINDER :-	12MM @ 8"C/C (Top Layer)	M-20	FE-500

REINFORCEMENT DETAILS OF R.C.C RETAINING WALL (9" THK)			
INDICATION	RECOMMENDED REINFORCEMENT	CONC GRADE	RENF GRADE
MAIN :-	10MM @ 6"C/C ALT PLACED	M-20	FE-500
BINDER :-	8MM @ 8"C/C	M-20	FE-500

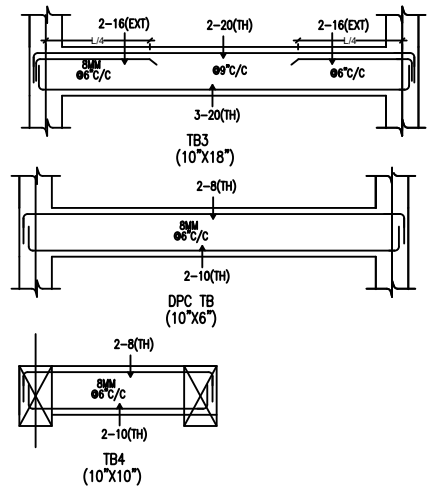
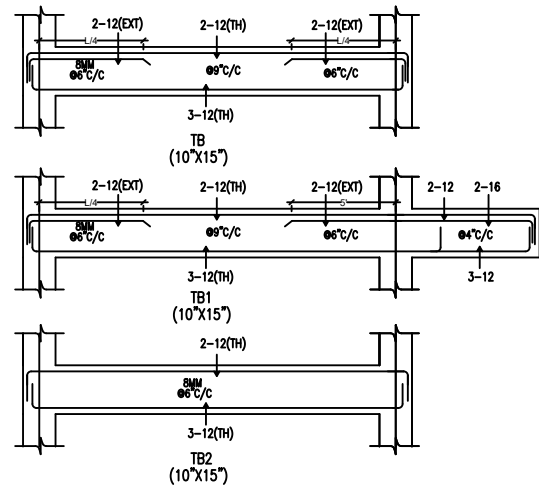
GRADE OF CONCRETE :- M-25
GRADE OF STEEL :- Fe-500
COVERING :-50MM (FOUNDATION)
40MM (COLUMN)
25MM (BEAM)
15MM (SLAB)
LAPPING OF BARS :- 45D(VERTICAL)
:- 60D(HORIZONTAL)
CEMENT : ULTRATECH ,ACC, KONARK ,DALMIA
TATA , JINDAL , RUNGTA , SHYAM STEEL

PROJECT TITLE:-		RESIDENTIAL (G+3)	
FILE LOCATION :		AASHI 5/PATNA / 2026 SMALL /AMITJEE PLAN	
CLIENT :-		MR AMIT @ PATNA, BIHAR 9504700663	
CONTENT :-			
SECTION ALONG "X-X" FOLLOW STR/01		SECTION ALONG "Y-Y" FOLLOW STR/01	
DATE:29/01/2026	PROJECT CONSULTANT	ER ANOOP KUMAR	DRAWING NO. STR/02
		AASHI DESIGN & ASSOCIATES (PLANNER, ENGINEER, PROJ EXECUTOR)	
PATNA	1101702-402, KANUNGA INCLAVE NEAR 85'S HOSE EXHAUSTER, BIHAR		
JAMSHEDPUR	1101702-204, SEWARI PALACE NEAR M.P. SCHOOL, ADITYANagar, JAMSHEDPUR, JHARHANDHRA		
CONTACT	09431177894/09431177895/09431177896/09431177897	anand@ashidai.com	SCALE: N.T.S.



MAIN TIE BEAM
 @ ORIGINAL GROUND LEVEL

DPC TIE BEAM
 @ FINISHED FLOOR LEVEL



GRADE OF CONCRETE :- M-25
 GRADE OF STEEL :- Fe-500
 COVERING :- 50MM (FOUNDATION)
 40MM (COLUMN)
 25MM (BEAM)
 15MM (SLAB)
 LAPPING OF BARS :- 45D(VERTICAL)
 :- 60D(HORIZONTAL)

CEMENT : ULTRATECH ,ADANAI AMBUJA , ACC
 STEEL : TATA , JINDAL , RUNGTA , SHYAM STEEL

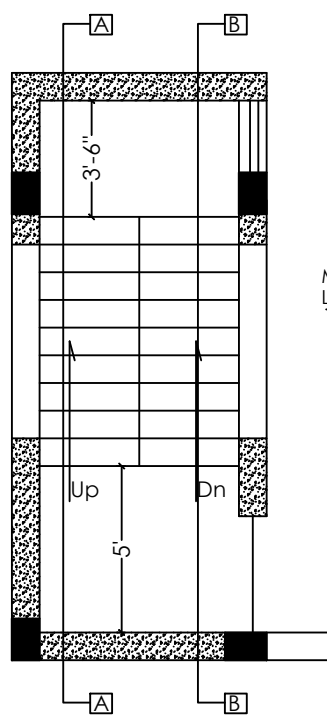
PROJECT TITLE:- RESIDENTIAL (G+3)

FILE LOCATION : AASHI 5/PATNA / 2026 SMALL /AMITJEE PLAN

CLIENT :- MR AMIT @ PATNA, BIHAR
 9504700663

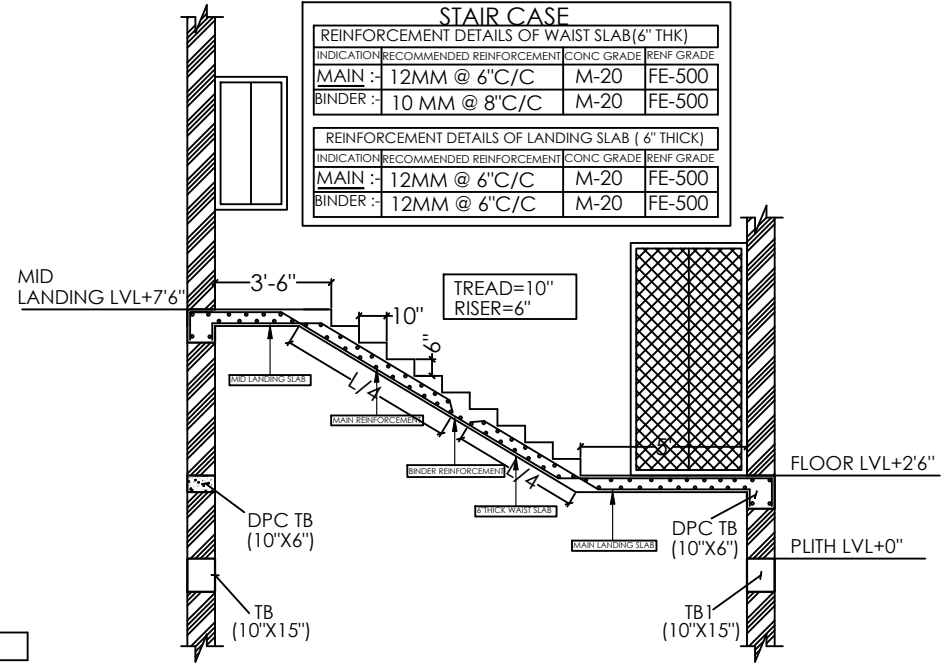
CONTENT :-

DATE:29/01/2026	PROJECT CONSULTANT: ER ANOOP KUMAR	DRAWING NO. 31R/03
	AASHI DESIGN & ASSOCIATES (REGISTERED ENGINEER PROFESSIONAL)	
	PLWA	
	CONTACT	SCALE: N.T.S.

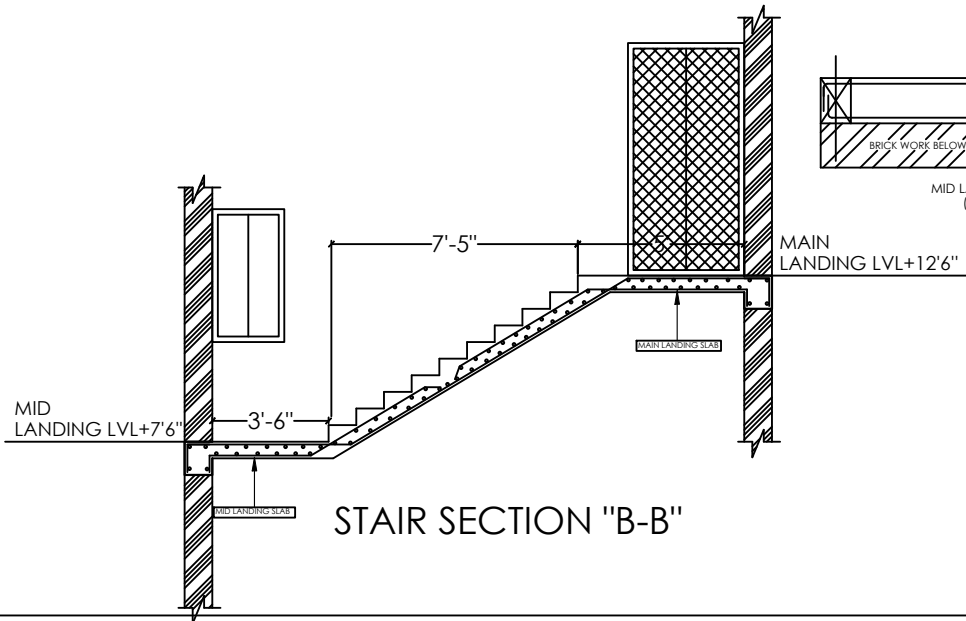


STAIR CASE			
REINFORCEMENT DETAILS OF WAIST SLAB (6" THK)			
INDICATION	RECOMMENDED REINFORCEMENT	CONC GRADE	RENF GRADE
MAIN :-	12MM @ 6"C/C	M-20	FE-500
BINDER :-	10 MM @ 8"C/C	M-20	FE-500

REINFORCEMENT DETAILS OF LANDING SLAB (6" THICK)			
INDICATION	RECOMMENDED REINFORCEMENT	CONC GRADE	RENF GRADE
MAIN :-	12MM @ 6"C/C	M-20	FE-500
BINDER :-	12MM @ 6"C/C	M-20	FE-500

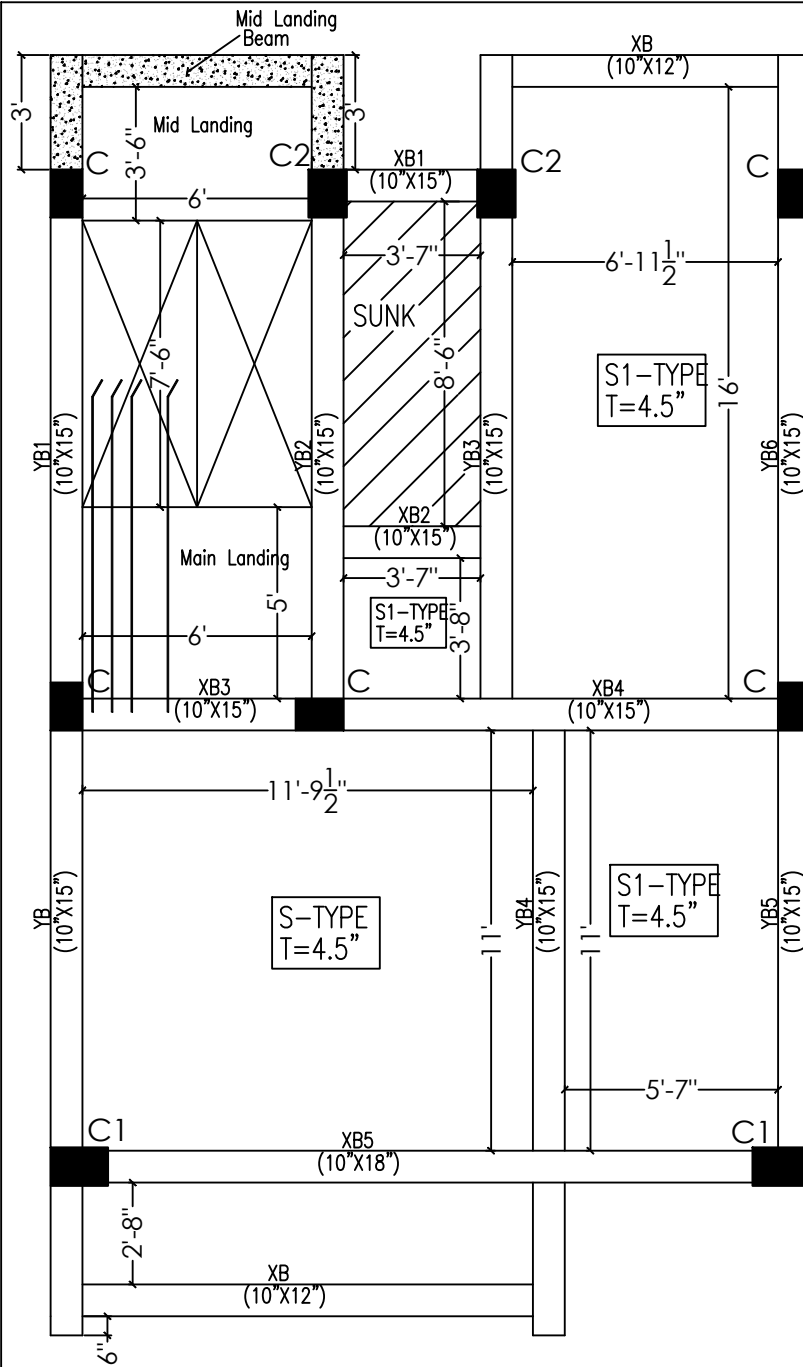


STAIR SECTION "A-A"

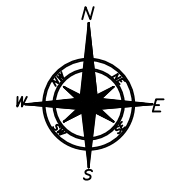


STAIR SECTION "B-B"

GRADE OF CONCRETE :- M-25			
GRADE OF STEEL :- Fe-500			
COVERING :-50MM (FOUNDATION)			
40MM (COLUMN)			
25MM (BEAM)			
15MM (SLAB)			
LAPPING OF BARS :- 45D (VERTICAL)			
:- 60D (HORIZONTAL)			
CEMENT : ULTRATECH ,ADANAI AMBUJA , ACC			
STEEL : TATA , JINDAL , RUNGTA , SHYAM STEEL			
PROJECT TITLE:- RESIDENTIAL (G+3)			
FILE LOCATION : AASHI S/PATNA / 2026 SMALL			
/AMITJEE PLAN			
CLIENT :- MR AMIT @ PATNA, BIHAR			
9504700663			
CONTENT :-			
STAIR CASE PLAN			
& STRUCTURAL DETAILS			
DATE: 29/01/2026	PROJECT: KUMHAR	BY: ANISH KUMAR	DRAWING NO: STR/04
		AASHI	
		(ARCHITECT)	
			SCALE: N:1.5



(S)	MAIN --- 10MM@ 6'C/C ALT CKD(L/4) WITH EXTRA TOP BINDER --- 8 MM@ 9'C/C ALT CKD(L/4) WITH EXTRA TOP	THICKNESS OF SLAB 4.5" WITH CHEMICAL	M-25
SUNK	MAIN --- 8 MM@ 6'C/C (TOP & BOTTOM) BINDER --- 8 MM@ 7'C/C (TOP & BOTTOM)	THICKNESS OF SLAB 5.5" WITH CHEMICAL	M-25
(S1)	MAIN --- 8 MM@ 6'C/C (TOP & BOTTOM) BINDER --- 8 MM@ 6'C/C (TOP & BOTTOM)	THICKNESS OF SLAB 4.5" WITH CHEMICAL	M-25



GRADE OF CONCRETE :- M-25
 GRADE OF STEEL :- Fe-500
 COVERING :-50MM (FOUNDATION)
 40MM (COLUMN)
 25MM (BEAM)
 15MM (SLAB)
 LAPPING OF BARS :- 45D(VERTICAL)
 :- 60D(HORIZONTAL)

CEMENT : ULTRATECH ,ADANAI AMBUJA , ACC
 STEEL : TATA , JINDAL , RUNGTA , SHYAM STEEL

PROJECT TITLE:- RESIDENTIAL (G+3)

FILE LOCATION : AASHI 5/PATNA / 2026 SMALL /AMITJEE PLAN

CLIENT :- MR AMIT @ PATNA, BIHAR
 9504700663

CONTENT :-	
MAIN TIE BEAM @ ORIGINAL GROUND LEVEL	*ROOF & BEAM SHUTTERING PLAN *ROOF STRUCTURAL DETAILS

DATE:29/01/2026	PROJECT CONSULTANT	ER ANOOP KUMAR	DRAWING NO. STR/05
		AASHI DESIGN & ASSOCIATES (PLANNER, ENGINEER, PROJ EXECUTOR)	
PATNA	STATE NO:- 403, MANORAJA ENCLAVE NEAR 9TH MILE, CHANDRABAGH, BIHAR		
JAMSHEDPUR	STATE NO:- 204, SEVEN FACES, NEAR K.P. SONNE, KCHINPATI, JAMSHEDPUR, JHARKHAND		
CONTACT	943117706, 9504700663 aashidesign@rediffmail.com, anoopkumar0119@gmail.com, aashidesign@rediffmail.com		

SCALE: N.T.S.

GRADE OF CONCRETE :- M-25
 GRADE OF STEEL :- Fe-500
 COVERING :- 50MM (FOUNDATION)
 40MM (COLUMN)
 25MM (BEAM)
 15MM (SLAB)
 LAPPING OF BARS :- 45D (VERTICAL)
 :- 60D (HORIZONTAL)

CEMENT : ULTRATECH ,ADANAI AMBUJA , ACC
 STEEL : TATA , JINDAL , RUNGTA , SHYAM STEEL

PROJECT TITLE:- RESIDENTIAL (G+3)

FILE LOCATION : AASHI S/PATNA / 2026 SMALL /AMITJEE PLAN

CLIENT :- MR AMIT @ PATNA, BIHAR
9504700663

CONTENT :-

MAIN BEAM	ROOF BEAM		
ORIGINAL GROUND LEVEL	LONGITUDINAL STRUCTURAL DETAILS		
DATE:29/01/2026	PROJECT CONSULTANT	ER ANOOP KUMAR	DRAWING NO. STR/06
		AASHI DESIGN & ASSOCIATES PLANNING, DESIGNER, PROJECT EXECUTION	
			SCALE: N.T.S.

